

## Sink Phantom

Kitchen Sinks

Code: 4371 001



### DETAILS

Edge/Installation Type Flush-mount | Top-mount

---

Material AISI 304 stainless steel

---

Texture Brushed in line

---

Finish Foster brushed

---

Base 80 cm

---

Width 72.6 cm

---

Dimensions 726x416 mm

---

Bowl dimension 710 x 400 mm

---

Built-in hole [View technical data sheet](#)

---

Standard fittings                      Fixing hooks, gasket, drain, overflow and siphon, boxed packing

---

Mixer holes                              No standard holes

---

Drainer                                    No

---

Waste fitting                            3,5" drain

---

Number of bowls                        1 bowl

---

## FEATURES

Basket 3,5" waste fitting              The drain is equipped with a large 3.5" drain, with the practical basket cap that prevents the discharge of solid parts.

---

Deep bowls                                This bowls reach an important depth, over 20 cm, thanks to the advanced production technology, that can be offer great capiciency and practicity in all the washing operations.

---

High thickness                            1mm thick steel. A significant thickness, which guarantees the maximum sturdiness and durability.

---

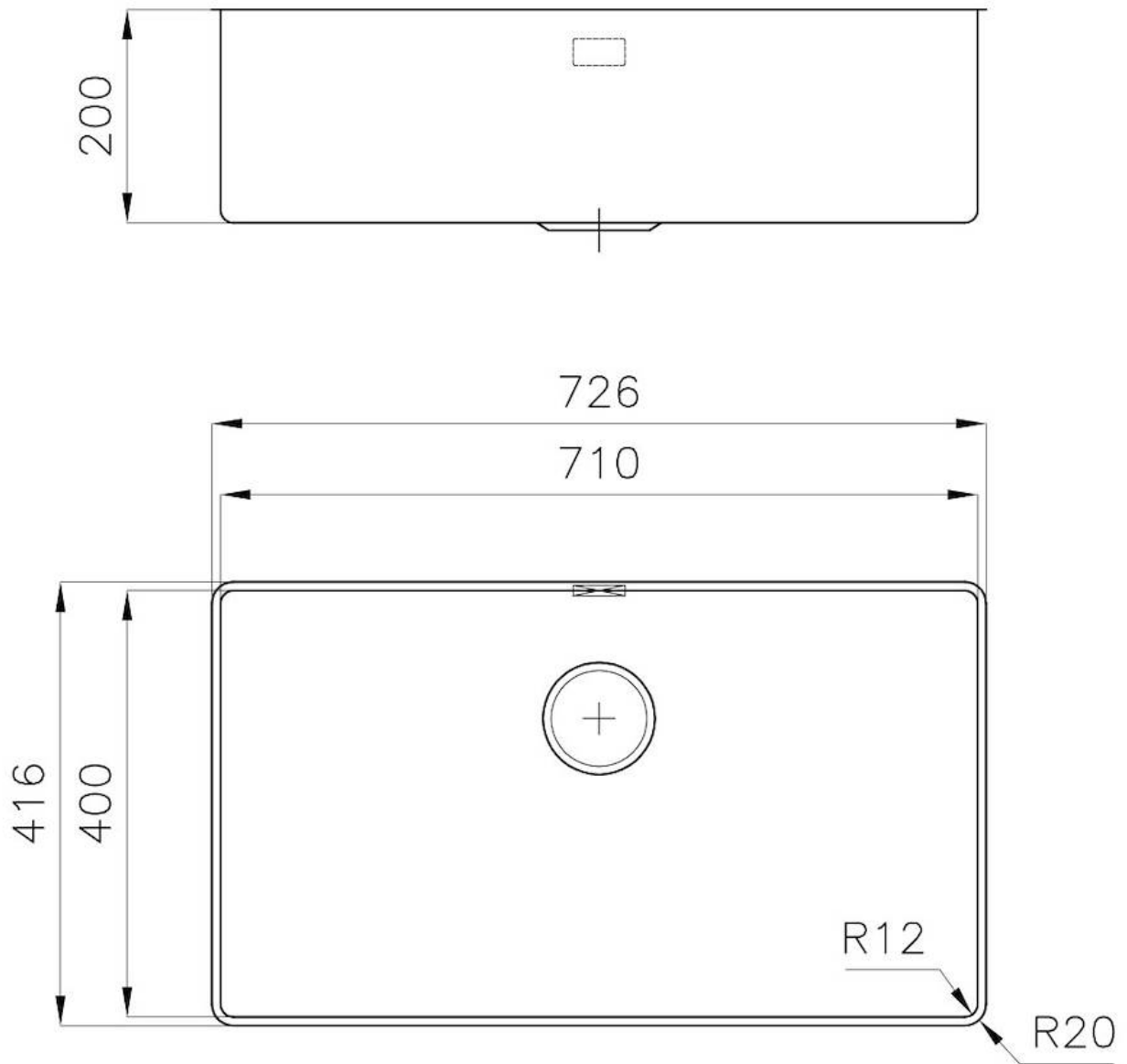
Perimetral overflow                      The overflow is always a security on the Foster sinks that prevents the overflow of water in case of oversights. The perimeter drain solution improves aesthetics thanks to its square and essential shape.

---

Small radius                                Bowls with squared shapes with a modern design and an increased capacity, for a minimal aesthetics connected with an extreme practicity.

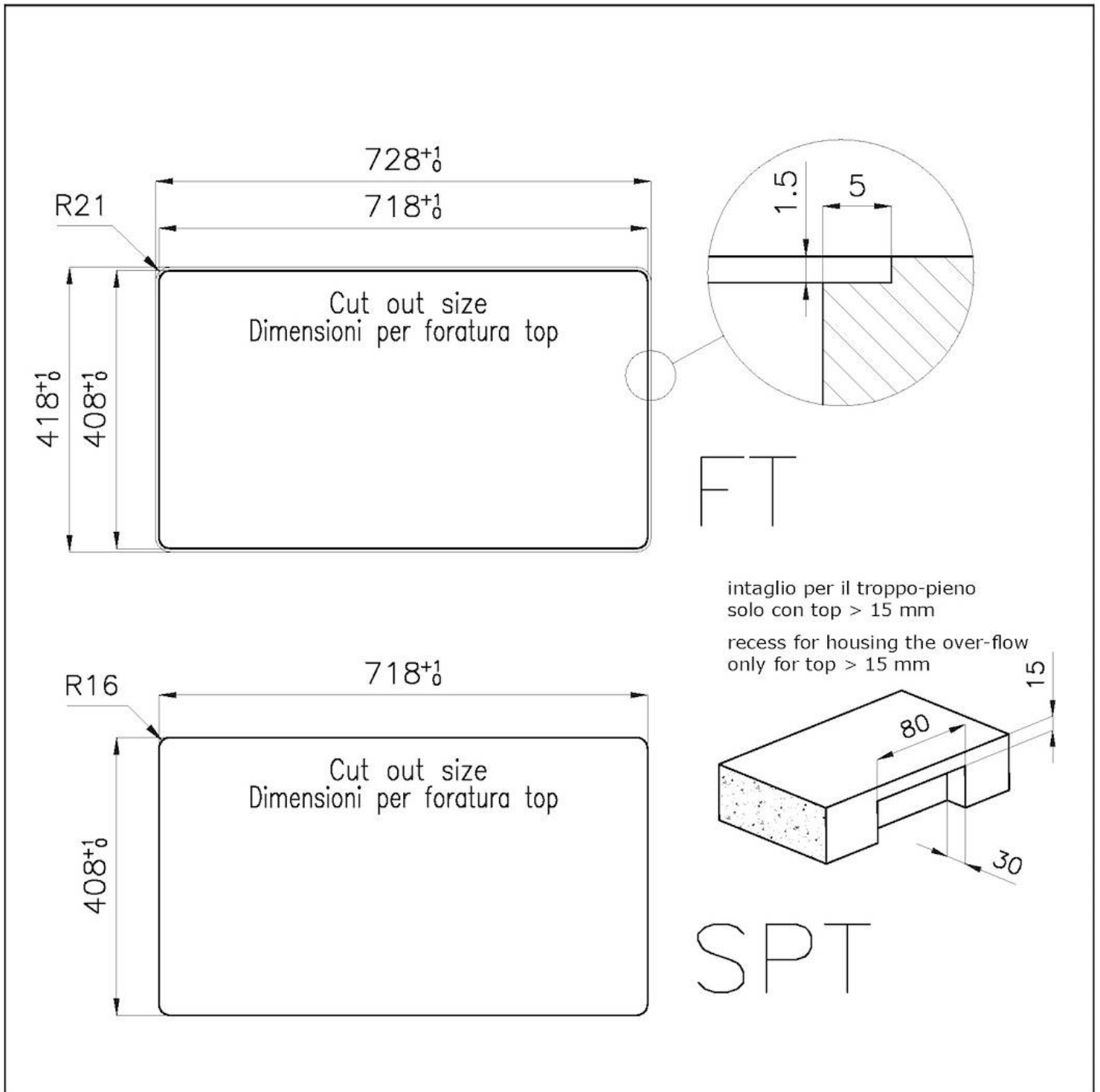
---

## TECHNICAL DATA

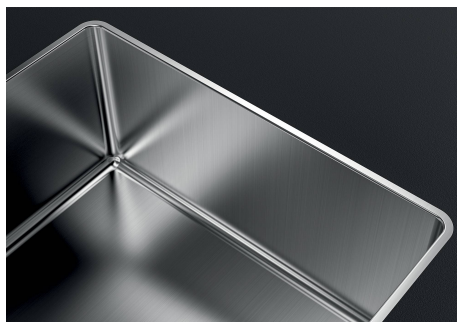




\*bordo sottile di soli 8mm  
\*Thin edge of only 8 mm



## GALLERY



## OPTIONAL ACCESSORIES



**Cestello inox**  
8612 000



**Glass chopping board**  
8631 300



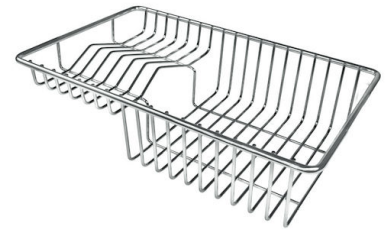
**HPDE Chopping board**  
8657 001



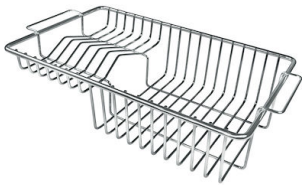
**HPDE Twin chopping board**  
8644 101



**Stainless steel plate rack**  
8100 154



**Stainless steel plate rack**  
8100 303  
\* only in combination with the accessory  
8644 101



**Stainless steel plate rack**  
8100 201



**White bowl**  
8153 100



**Black grid**  
8100 617



**Graters kit with ring-holder and food collection tray**

8159 101

\* only in combination with the accessory  
8644 101



**Griglia Black**

8100 653



**Griglia Black**

8100 651



**Griglia Black**

8100 652



**Iroko-wood sliding chopping board with stainless steel colander**

8644 044



**Stainless steel perforated tray**

8151 000

\* only in combination with the accessory  
8644 101



**Stainless steel perforated tray PVD Copper**

8151 008



**Stainless steel perforated tray PVD Gold**

8151 009



**Stainless steel perforated tray PVD Gun Metal**

8151 006

## OPTIONAL AUTOMATIC WASTE FITTINGS



**Automatic waste fitting - PM**  
8407 113



**Space automatic waste fitting - PA**  
8407 108



**Space automatic waste fitting - PE**  
8407 109



**Space Light automatic waste fitting  
- PL**  
8407 117



**Space Push automatic waste fitting  
- PP**  
8407 116